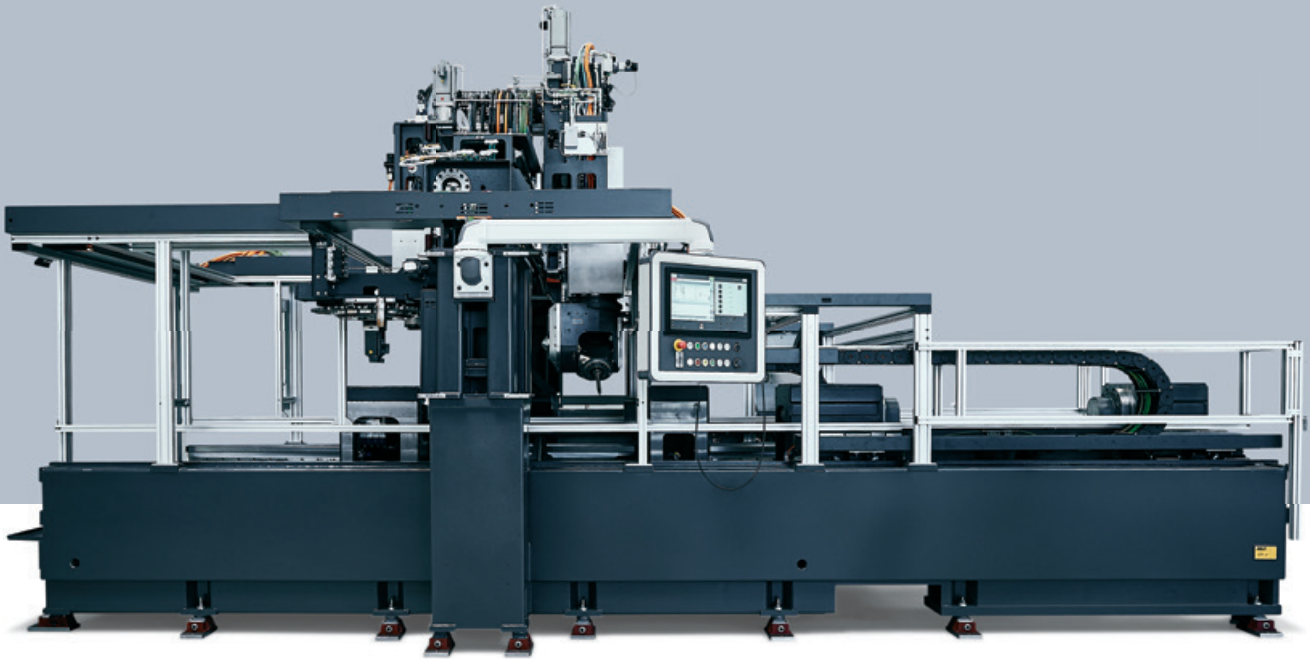


# FLEXIBLE MACHINING IN LIGHTWEIGHT CONSTRUCTION

## Wenzler VPM



## Wenzler VPM – flexibly designed for your requirements

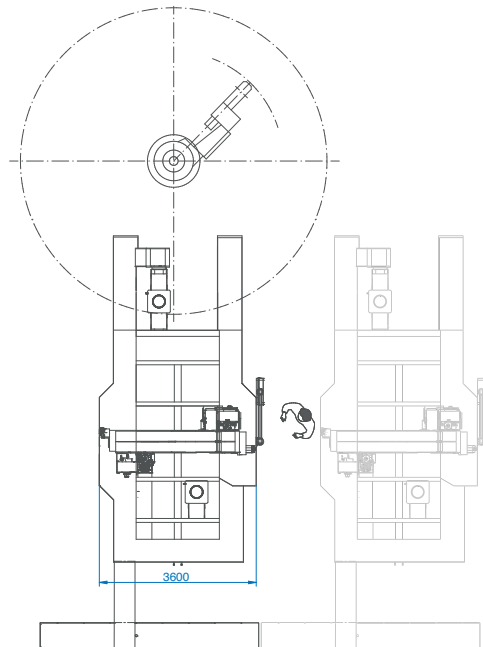
The Wenzler VPM provides you with the best possible prerequisites to meet the demands of your projects. The vertical machining center offers scalable travel ranges. As an option and depending on the machining concept, a 5-axis pivoting spindle can be used within the process.

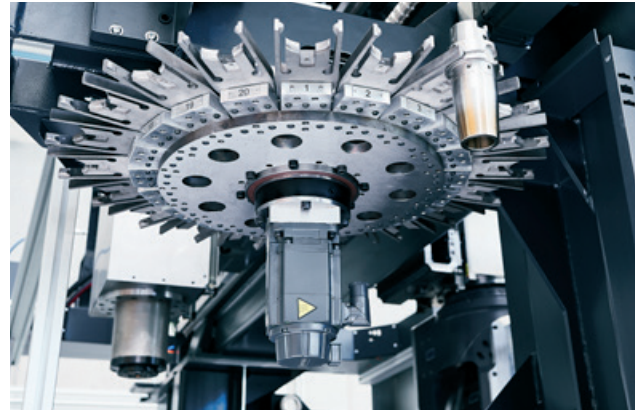
### Configuration options:

- Single-spindled:
  - Decoupled shuttle machining with one work spindle
  - Direct loading of work pieces sized 3000 x 1700 mm
- Two-spindled:
  - Direct loading machining with two work spindles

### Further advantages of the Wenzler VPM at a glance:

- Serial loading and unloading of both spindles
- Loading and unloading either by robot, gateway or manually
- Space saving design oriented to value stream
- Good accessibility
- Employment of a swivel head spindle is possible
- 4th and 5th pivoting axis in the workpiece is possible





### Wenzler process competence

As turn-key machine constructors, we offer you the entire machining process from planning to implementation. What is more, we offer automation for your entire installation and integrate all participants of an extended value chain. All participants can be visualized and their primary functions can be controlled by a central computer. The integration of machine and operating data collection interfaces is also part of our portfolio.

### Ready for Industry 4.0 now

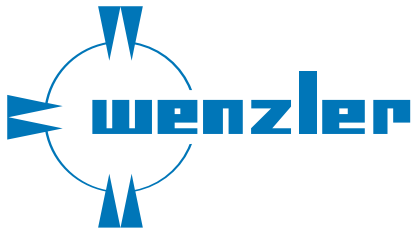
Our machine type Wenzler VPM can be perfectly integrated into your smart factory. The installation is equipped with an intuitive touch control that allows for an up-to-date operation in everyday working life. At the same time, evaluation and visualization of process data provide for process flow transparency. Internet connection facilitates maintenance and service processes.



*Machining of battery trays/underbodies in single-spindled/direct loading configuration*



*Machining of a side member with downstream Helicoil assembly*



AUGUST WENZLER MASCHINENBAU GMBH  
Eschenwasen 4  
78549 Spaichingen, Germany

Phone +49 (0)7424 9312-0  
Fax +49 (0)7424 9312-30  
E-Mail [info@august-wenzler.de](mailto:info@august-wenzler.de)  
[www.august-wenzler.de](http://www.august-wenzler.de)

## HELLER

Member of Heller Group

## Wenzler VPM – Technical data

### Workpiece dimensions with 2 workpieces

- X = 1250 mm
- Y = 850 mm
- Max. table load weight 400 kg

### Workpiece dimensions with 1 workpiece

- X = 3000 mm
- Y = 1700 mm
- Max. table load weight 800 kg

### Feed rate

- Rapid traverse
  - X axis 100 m/min
  - Y, Z axis 100 m/min
- Axis acceleration
  - X, Y axis 7 m/s<sup>2</sup>
  - Z axis 10 m/s<sup>2</sup>
- Jerk 150 m/s<sup>3</sup>

### Work spindle

- Tool holder HSK 63
- Speed range 16000 min<sup>-1</sup>
- Power S6/40% ED 34 kW
- Max. torque 85 Nm

### 5-axis pivoting spindle

- HSK 63
- 16000 min<sup>-1</sup>
- 31.5 kW
- 62.1 Nm

### Tool magazine

- Places 2 x 20
- Length 400 mm
- Max. Ø (adjacent space free) 140 mm
- Max. tool weight 8 kg
- Load capacity 80 kg
- Tool change time 2.5 s

As a medium-sized company, Wenzler has the ability to respond swiftly and flexibly to individual requirements. All components of Wenzler machining centers requiring our specific know-how are produced in-house to ensure our customers receive reliable and economically efficient solutions at the highest level of quality.

Do you have any question on the Wenzler VPM and our service portfolio? We are very much looking forward to getting in touch with you and talking about your requirements.