

CITIZEN

Cincom

L12x

Sliding Headstock Type CNC Automatic Lathe





L12 X

Adoption of a modular tooling system. Addition of Y2 axis for even higher functionality.

A modular tooling system has been adopted for the gang and back tool posts. The wide variety of tooling layouts available, such as "adjustable angle end-face spindle" that allows for slanted hole drilling, enable you to perform various kinds of machining. Equipping of a Y2 axis ^{Type X} to the back spindle strengthens back machining.

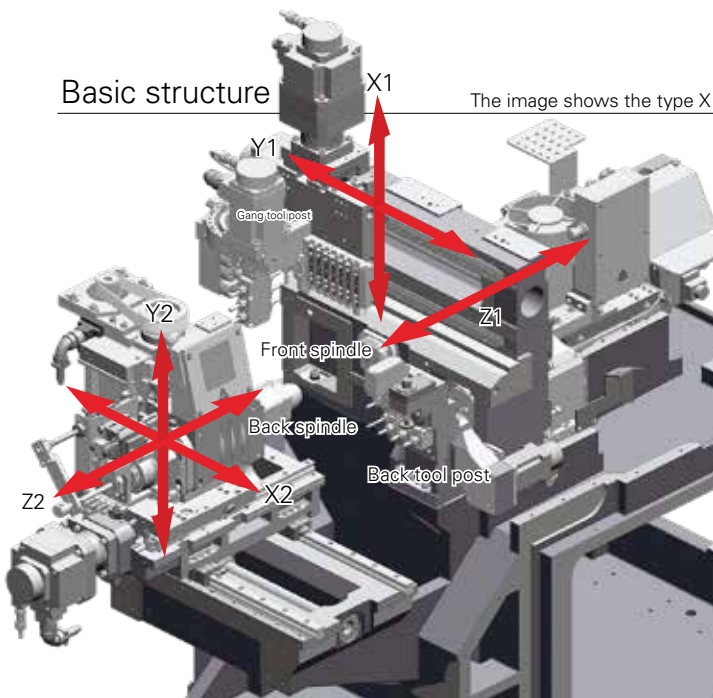
This increases the degree of freedom for process allocation, and increases the maximum number of tools that can be installed to 38 ^{Type X} and 34 ^{Type VIII}. Additionally, adoption of a built-in motor for the back spindle drive enables a maximum speed of 12,000 min⁻¹. This reduces the acceleration/deceleration time to improve productivity.

Compatible with oversize of 16 mm dia.

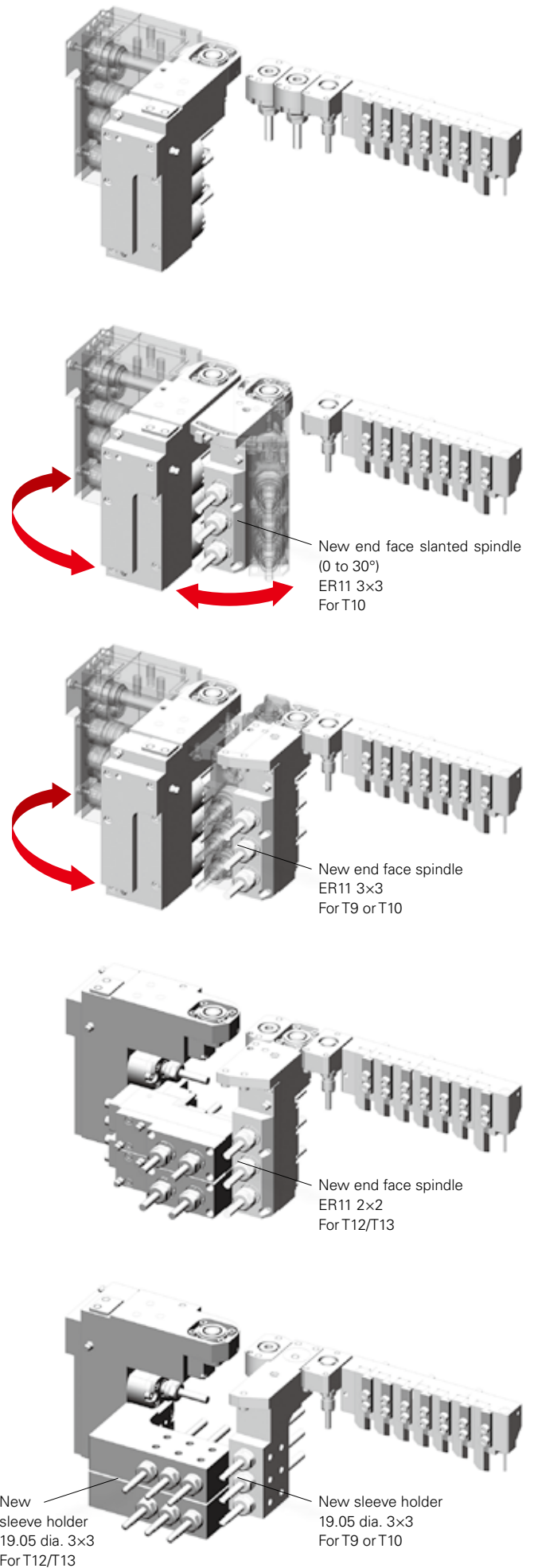


Basic structure

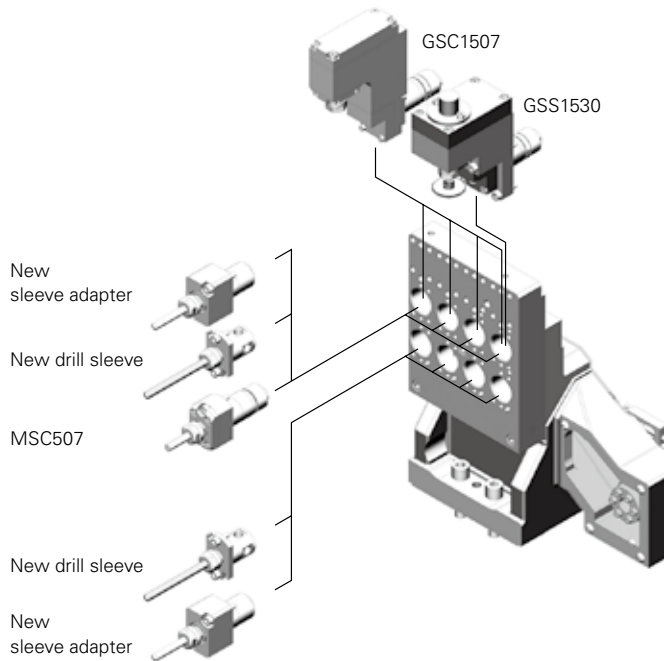
The image shows the type X



Gang tool post tooling variation



Back tool post tooling variation



LFV



LFV* (low-frequency vibration) cutting is a technology for cutting in which each X/Z servo axis is vibrated in the cutting direction and synchronized with the spindle speed. This reduces various types of problems such as cutting chips being caught up in products or bladed tools, and enables small-diameter deep hole drilling and machining of materials that are difficult to cut.

Model type	Front X1, Z1	Back X2, Z2	LFV Mode 1	LFV Mode 2
VIII, X	○ Back performs standard cutting	○ Front performs standard cutting	○	○

1. LFV machining cannot be performed with the Y axis.
2. Up to one pair (= two axes) can be operated simultaneously as LFV machining.
3. LFV machining using rotary tools requires the "LFV function" and "Rotary tool per rotation feedrate" options.

* LFV is a registered trademark of Citizen Watch Co., Japan.

Machine Specification

Item	L12	
	VIII	X
	L12 - 2M8	L12 - 2M10
Max. machining diameter (D)	12 mm dia.	
Max. machining length (L)	135 mm/1 chucking (GB), 30 mm (GBL)	
Max. front drilling diameter	8 mm dia.	
Max. tapping diameter for the front spindle	M6	
Spindle through-hole diameter	20 mm dia.	
Main spindle speed	Max. 15,000 min ⁻¹ (GB), Max. 12,000 min ⁻¹ (GBL)	
Max. chuck diameter for the back spindle	12 mm dia.	
Max. protrusion length	80 mm	
Max protrusion length of the back spindle workpiece	30 mm	
Max. drilling diameter for the back spindle	8 mm dia.	
Max. tapping diameter for the back spindle	M6	
Back spindle speed	Max. 12,000 min ⁻¹	
Gang rotary tools		
Max. drilling diameter	5 mm dia.	
Max. tapping diameter	M4	
Main spindle speed	Max. 10,000 min ⁻¹	
Back rotary tools ^{OP}		
Max. drilling diameter	5 mm dia.	
Max. tapping diameter	M4	
Main spindle speed	Max. 9,000 min ⁻¹	
Number of tools to be mounted	34	38
Gang tool post	7	7
Gang rotary tools	6 to 17	
Front drills	Standard: 2, Max.: 11	
Back drills	4(13)	8(17)
Tool size		
Turning tool	□ 10 mm, □ 12 mm ^{OPT}	
Sleeve	19.05 mm dia.	
Chuck and bushing		
Main spindle collet chuck	FC096-M	
Guide bushings	WFG541-M	
Back spindle collet chuck	FC096-M-K	
Rapid feed rate		
All axes	35 m / min	
Motors		
Front spindle drive	2.2 / 3.7 kW	
Gang tool post rotary tool drive	0.75 kW	
Back spindle drive	0.75 / 1.5 kW	
Back tool post rotary tool drive ^{OP}	0.5 kW	
Coolant oil	0.25 kW	
Center height	1,050 mm	
Rated power consumption	8 KVA	
Full-load current	22 A	
Main breaker capacity	40 A	
Power supply voltage	AC200V ± 10%	
Pneumatic unit: Required pressure and required flowrate	0.5 MPa at 44 NL/min (Power on), 55 NL/min. (Stationary), 150 NL/min (Air blower)	
Machine main unit dimensions	W 1,840 × D 970 × H 1,710 mm	
Weight	2,200 kg	

Main standard accessories	
Main spindle chucking unit	Back spindle chucking unit
Gang rotary tool driving unit	Coolant oil supply unit (with level detector)
Lubricating oil supply unit (with level detector)	Air-driven knock-out device for back machining
Machine relocation detector	Door lock
Product chute	Automatic fire extinguishing unit
Lighting	

Special accessories	
Rotary guide bushing unit	Motor-driven knock-out device for back machining
Cut-off tool breakage detector	Workpiece conveyor
Knock-out jig for through-hole workpiece	Chip conveyor
Scratchproof chute part	Medium-pressure coolant unit
Workpiece separator (For front)	Signal lamp
Coolant flow rate detector	3-color signal tower
Machine internal lighting equipment	LFV
Back rotary tool driving unit	

Standard NC functions	
CINCOM SYSTEM M70LPC-VL (Mitsubishi Electric)	8.4 inch color liquid crystal display (LCD)
Program storage capacity: 40 m (Approx. 16 KB)	Constant peripheral speed control function
Tool offset pairs: 40	Automatic power-off function
Product counter indication (up to 8 digits)	Spindle 1° indexing function
Operating time display function	On-machine program check function
Spindle speed change detector	Nose radius compensation
Chamfering/Corner R function	Spindle speed change detector
Eco display	Obstruction check
Machine operation information display	

Special NC functions	
Variable lead thread cutting	Tool offset pairs: 80
Arc threading function	Tool life management I
Geometric command function	Tool life management II
Spindle synchronized function	Program storage capacity: 600 m (Approx. 240 KB)
Spindle C-axis function	External memory program driving
Milling interpolation function	Network I/O function
Back spindle 1° indexing function	Submicron commands
Back spindle C-axis function	User macros
Back spindle chasing function	Helical interpolation function
Canned cycle for drilling	Inclined helical interpolation function
Synchronized tapping function	Hob function
High-speed synchronized tapping function	Polygon function
Synchronized tapping phase adjustment function	Inch command
Differential speed rotary tool function	Sub inch command
Optional block skip (9 sets)	Back machining program skip function
Canned cycle for composite turning	

CITIZEN MACHINERY CO., LTD.

CITIZEN

JAPAN	CITIZEN MACHINERY CO., LTD. 4107-6 Miyota, Miyota-machi, Kitasaku-gun, Nagano-ken, 389-0206, JAPAN	TEL.81-267-32-5901	FAX.81-267-32-5908
SOUTH ASIA / KOREA	CITIZEN MACHINERY CO., LTD. 4107-6 Miyota, Miyota-machi, Kitasaku-gun, Nagano-ken, 389-0206, JAPAN	TEL.81-267-32-5901	FAX.81-267-32-5908
TAIWAN	CINCOM MIYANO TAIWAN CO., LTD. 10FL., No.174, Fuh Sing N. Rd., Taipei, TAIWAN	TEL.886-2-2715-0598	FAX.886-2-2718-3133
CHINA	CITIZEN (CHINA) PRECISION MACHINERY CO., LTD. 10058, XINHUA ROAD OF ZHOUCUN, ZIBO, SHANDONG, P.R. CHINA	TEL.86-533-6150560	FAX.86-533-6161379
EUROPE-Germany	CITIZEN MACHINERY EUROPE GmbH Mettinger Strasse 11, D-73728 Esslingen, GERMANY	TEL.49-711-3906-100	FAX.49-711-3906-106
EUROPE-UK	CITIZEN MACHINERY UK LTD 1 Park Avenue, Bushey, WD23 2DA, UK	TEL.44-1923-691500	FAX.44-1923-691599
EUROPE-Italia	CITIZEN MACCHINE ITALIA s.r.l. Via Guglielmo Marconi 47 24040 Comun Nuovo (BG), ITALY	TEL.39-035-877738	FAX.39-035-876547
AMERICA	MARUBENI CITIZEN-CINCOM INC. 40 Boroline Road Allendale, NJ 07401, U.S.A.	TEL.1-201-818-0100	FAX.1-201-818-1877

URL: <https://cmj.citizen.co.jp/>

All specifications are subject to change without prior notice. This product is an export control item subject to the foreign exchange and foreign trade act. Thus, before exporting this product, or taking it overseas, contact your CITIZEN machine dealer. Please inform your CITIZEN machine dealer in advance of your intention to re-sell, export or relocate this product. For the avoidance of doubt products includes whole or part, replica or copy, technologies and software. In the event of export, proof of approval to export by government or regulatory authority must be evidenced to CITIZEN. You can operate the machines after the confirmation of CITIZEN. CITIZEN, LFV, MultiStationMachiningCell and Ocean technology is a registered trademark of Citizen Watch Co., Japan.